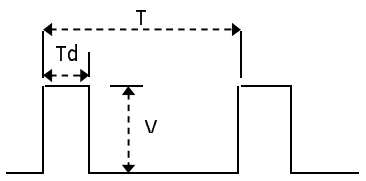
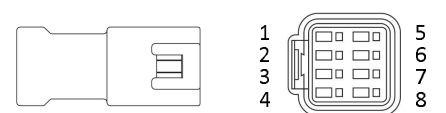


LJ9DA(Linear Servo) Technical Specification

Update Number

(THIS DATA IS JUST A REFERENCE. IT IS NOT A GUARANTEED DATA.)

160426-01

Item		Specification				Remark		
1	Communication Interface	PWM				Signal Voltage:V	HIGH : min. 3.0V max. Vcc LOW : min. 0.0V max. 0.45V	
						Frame Rate:T	3.0~30ms (Default 14.25ms)	
						Retract/Center/Extend :Td	2120/1520/920 μs (Resolution recommends less than 1 μs.)	
								
		S.BUS				Futaba Serial Protocol (Please ask us for more information.)		
		RS485				Command control (Half-duplex communication, Baud Rate 9.6~460.8kbps) (Please ask us for more information.)		
2	Rated Voltage	11.1~14.8V DC				-		
3	Operating Voltage	9.0~16.8V DC				-		
4	Standby Current	≤ 70mA				at 14.8V		
5	Consumption Current*	LL	Me	UL	unit	at 14.8V, No-Load		
		160	260	360	mA	LL : Low Limit Me : Medium Value UL : Upper Limit		
6	Max. Force*	LL	Me	UL	unit	at 14.8V		
		38.7	48.9	59.1	kgf			
		380	480	580	N			
		1365	1725	2085	ozf			
7	Rated Force*	LL	Me	UL	unit	at 14.8V		
		7.7	9.8	11.8	kgf	20% of Max. Force.		
		76	96	116	N			
		273	345	417	ozf			
8	No Load Speed*	LL	Me	UL	unit	at 14.8V		
		3.74	4.13	4.53	inch/s			
		95	105	115	mm/s			
9	Stroke Length	1.97 inch (50mm)				0.98 inch (25mm) / 920μs 0 inch (0mm) / 1520μs -0.98 inch (-25mm) / 2120μs		
10	Operating Temperature Range	-10~+60°C (14~140°F)				-		
11	Storage Temperature Range	-30~+80°C (-22~176°F)				-		
12	Outer Dimension	7.8 x 2.0 x 3.9 inch (197.6 x 51.1 x 99.3mm)				Except for the cable and the moving part.		
13	Weight	25.4oz (720g)				-		
14	Case Material	Gear Box : PBT+PC-GF30 Heat Sink : AL				-		
15	Gear/Screw Set Material	1st,3rd : Metal 2nd : Synthetic Resin Ball Screw : Metal				-		
16	Cable	Shielded Cable				Cable Length : 15.75 inch (400mm)		
17	Connector	Manufacture	J.S.T. Mfg. Co., Ltd					
		Type	08T-JWPF-VSLE-D					
		Mating	08R-JWPF-VSLE-D etc.					
		Pin Assignment	1	Brown	Position Feedback+			
			2	Yellow	Position Feedback-			
			3	Green	RS485 A(D+)			
			4	Blue	RS485 B(D-)			
			5	white	PWM / S.BUS			
6	Red	Battery(+)						
7	Black	Battery(-)						
8	Gray	Cable Shield Line						
18	MTT(B)F*	> 100h (T B C)				Test Condition at 14.8V / Load : 20% of Max. Torque / 0.5Hz sweep (±25mm)		
19	Vibration Resistance *	Operating time ≥ 100 cycle(sweep) (at 14.8V)				Test Condition		
						Frequency range	10 to 500Hz	
						Sweep Rate	1 oct/min	
						Acceleration	5G (50m/s ²)	
						Vibration axis	X, Y, Z	

* Initial Performance Data at 23±5°C

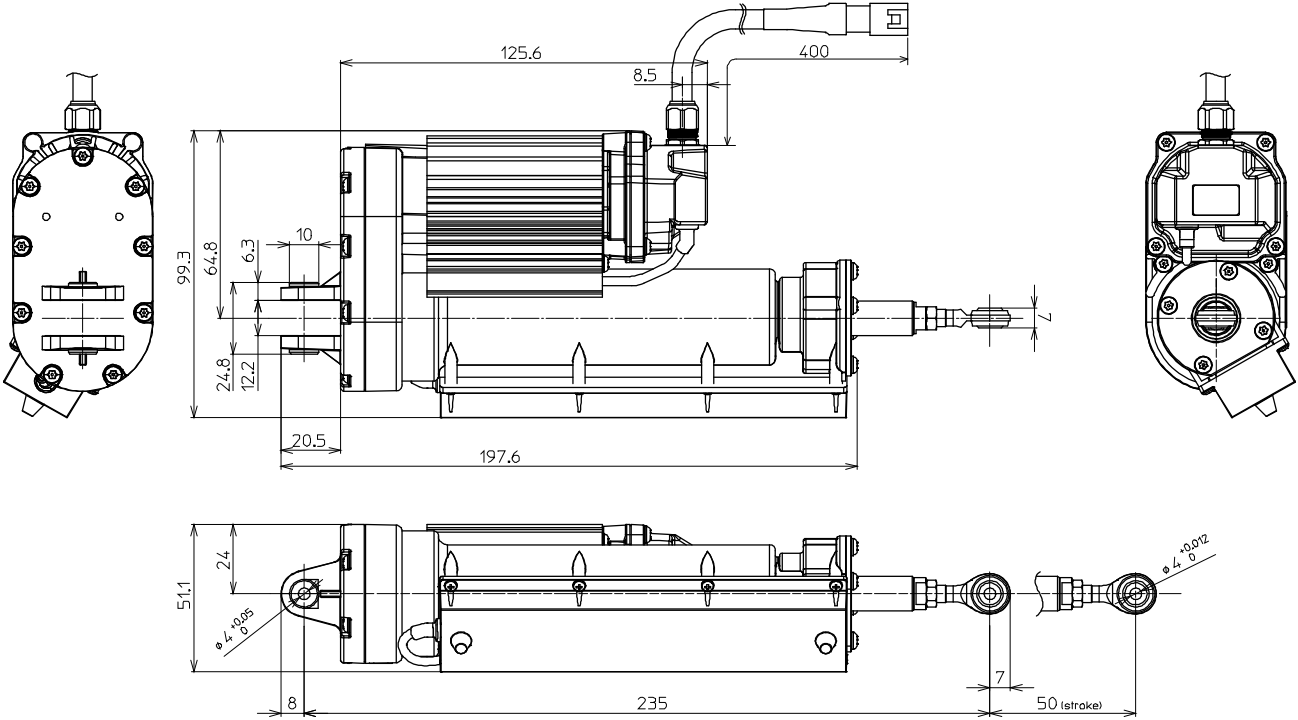
All Specifications are subject to change without prior notice.

Caution

This product SHOULD NOT be used for the devices that is directly related to human life and/or harmful devices for human body such as below applications.

- (1)Medical Devices
- (2)Aerospace/Aviation Related Devices
- (3)Nuclear Related Devices e.t.c.

Outer Dimension



(Unit mm)

Position Feedback

