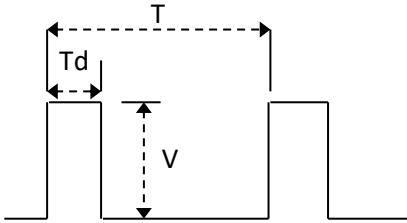
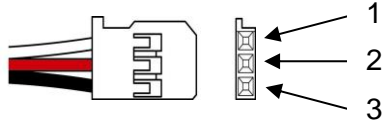
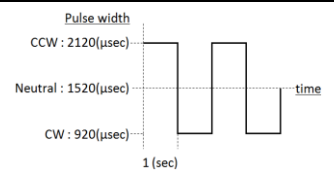


AD20-06H-B01 Technical Specification

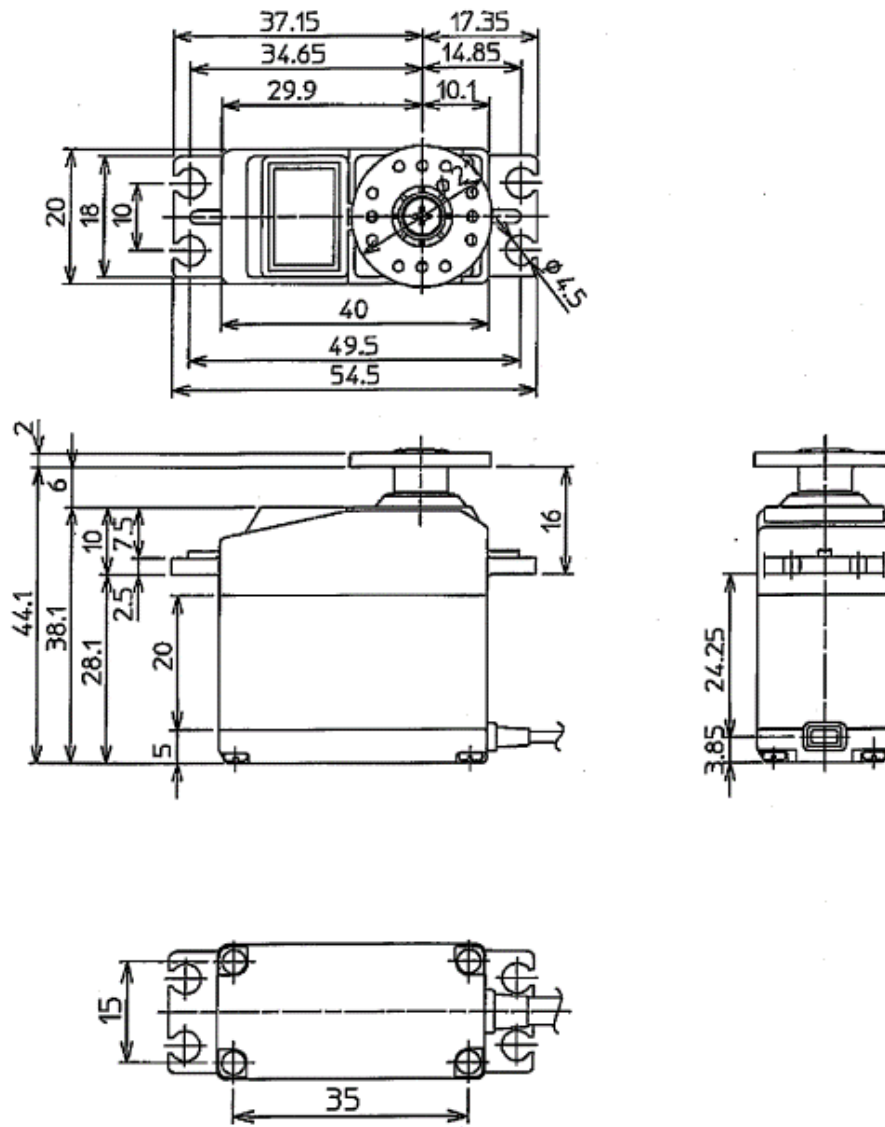
Item		Specification			Remark	
1	Communication Interface	PWM			Signal Voltage:V	HIGH : min. 2.0V max. Vcc LOW : min. 0.0V max. 0.45V
					Frame Rate:T	3.0~30ms (Default 14.25ms)
					Left/Center/Right:Td	2120/1520/920 μs (Resolution recommends less than 1 μs.)
						
		S.BUS / S.BUS2			Futaba Serial Protocol (Please ask us for more information.)	
2	Rated Voltage	DC 6.0~DC 7.4V			-	
3	Operating Voltage	DC 4.8~DC 8.4V			-	
4	Standby Current	≤ 20mA			at 6.0~7.4V	
5	Starting Current*	170			mA	at 7.4V , No-Load
6	Consumption Current*	LL	Me	UL	unit	at 7.4V , No-Load
		125	170	215	mA	LL : Low Limit Me : Medium Value UL : Upper Limit
7	Max. Torque*	LL	Me	UL	unit	at 7.4V
		4.8	7.9	11.0	kgf-cm	
		0.5	0.8	1.1	N-m	
		66.7	109.7	152.8	ozf-in	
8	Rated Torque*	2.4			kgf-cm	at 7.4V 30% of Max. Torque
		0.23			N-m	
		32.9			ozf-in	
9	No Load Speed*	LL	Me	UL	unit	at 7.4V
		0.16	0.13	0.10	s/60°	
		600.0	461.5	375.0	°/s	
		100.0	76.9	62.5	rpm	
10	Default Travel Angle	CW 60° (920us) CCW 60° (2120us)			-	
11	Max Travel Angle	CW 90° (920us) CCW 90° (2120us)			Programing tool (CIU-2 or CIU-3,S-Link) required.	
12	BackLash*	≤ 0.7°			-	
13	Operating Temperature Range	-20~+60°C (-4~140°F)			-	
14	Storage Temperature Range	-20~+60°C (-4~140°F)			-	
15	Outer Dimension	40.0 x 20.0 x 38.1mm (1.57 x 0.78 x 1.50 in)			-	
16	Weight	39g (1.38oz)			-	
17	Case Material	Upper,Middle,Bottom : Resin			-	
18	Gear Set Material	1st,2nd,3rd,4th(Final) : Resin			-	
19	Cable	Non-Shielded Cable			Cable Length : 11.81 inch (300mm)	
20	Connector	Manufacture	J.A.M. Co., Ltd.			
		Type	FC25-03HG**			
		Mating	FC25-03M** etc.			
		Pin Assignment	1	White	PWM/S.BUS	
		2	Red	Vcc		
		3	Black	GND		
21	Water Resistance	IP40 equivalent			-	
22	MTTF	300h (at 6.6V)			Test Condition • Load : 20% of Max. Torque • Operating Condition : 0.5Hz sweep (±60°) • Input Pluse : PWM 	
23	Vibration Resistance *	Operating time > 100h (at 6.6V)			Test Condition	
					Frequency range	80 to 400Hz
					Sweep Rate	1.2 min / single-sweep
					Acceleration	30G (294m/s ²)
					Vibration axis	X, Y, Z

* At 23±5°C (Initial Performance Data)

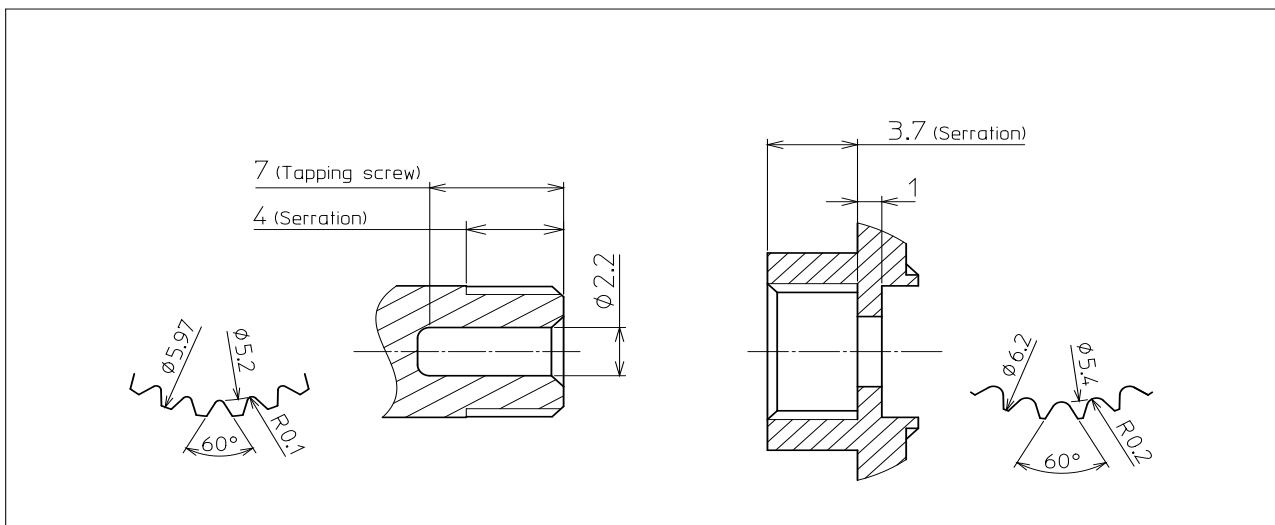
** Custom connector. If necessary, Please use the extension cord sold from Futaba.

All Specifications are subject to change without prior notice.

Outer Dimension



Servo Serration



Serration Size

Standard Diameter : $\phi 6$
 Angle : 60°
 Tooth : 25

Unit(mm)